



Catch Basin Products

Drop Inlet Type 1
WSDOT B-45.20-01

Reinforcing

- 20 sq. inches/linear ft. minimum
- Reinforcing meets ASTM Standard Specification

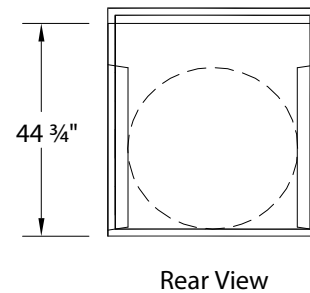
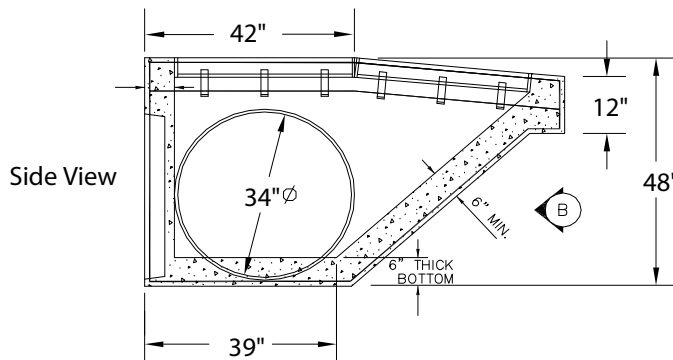
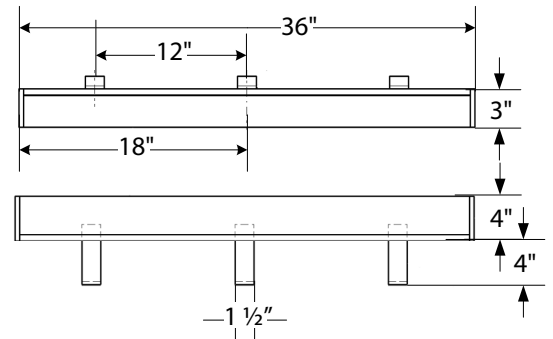
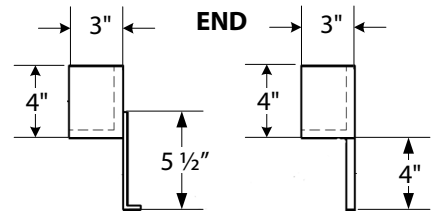
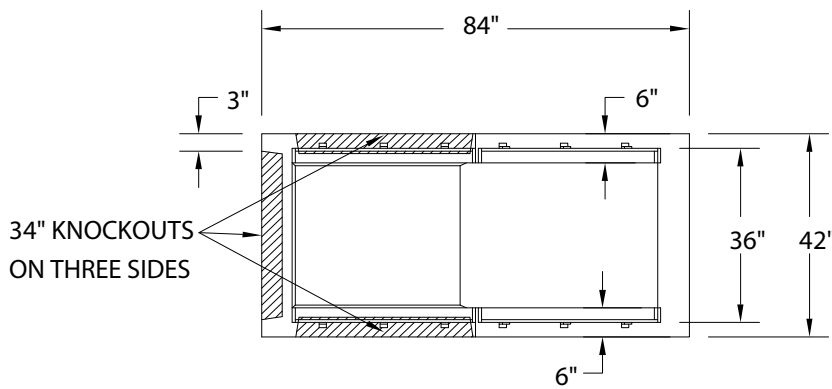
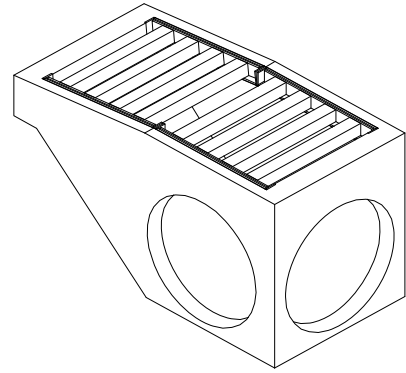
Cast Iron Grate

- WSDOT Standard Plan B-45.20-00
- Type 1,2, and 3 grates available
- 4" X 3" X 3/8" Steel Plate – Tack Weld to Angle w/ 5 1/2" X 1" X 1/4" Steel Angle or Anchor Stud Option

Additional Information

- The base unit has a 34" diameter knock-out on each of the three sides
- 1 1/2 inch hole on each side for handling
- Base weight 5,800 lbs.
- Concrete to exceed $F_c=4,000$ PSI @ 28 days
- 6" wall thickness
- Knockouts 2" Min

ISOMETRIC VIEW W/GRATE IN PLACE



Note: Drawings not to scale

www.shopeconcrete.com

1-800-422-7560 [TOLL FREE]



Shope Concrete, LLC
1618 East Main Avenue
Puyallup, WA 98372-3142

(253) 848-1551
Fax Line 1 (253) 845-0292
Fax Line 2 (253) 864-6172

